

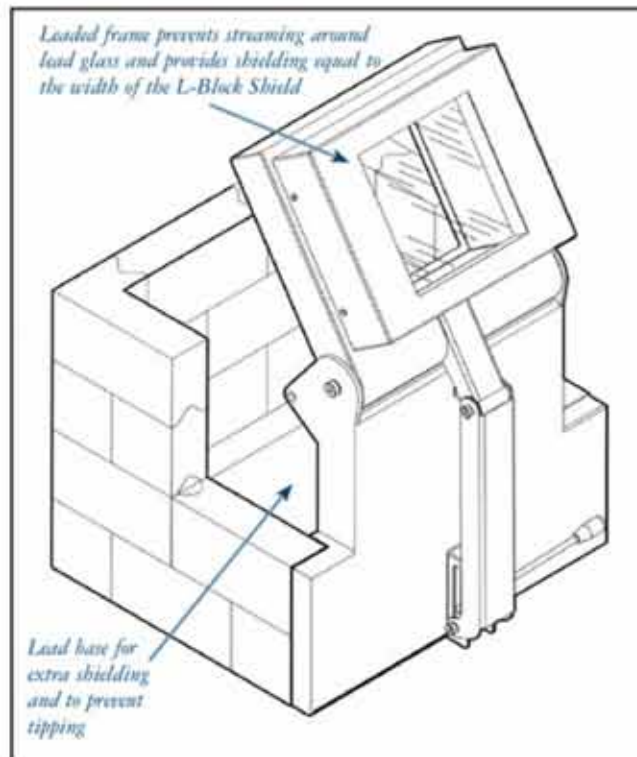
DELUXE L-BLOCK SHIELD

Ideal for PET pharmacies



- 2.4" lead shielding in front and in base
- 8" x 8" x 4" easily adjustable lead glass window
- Optional Lead Brick Cave for complete lateral shielding

The Deluxe L-Block Shield is designed for managing large quantities of high-energy radionuclides. The shield is constructed of 2.4" thick lead encased in steel, and features a large 8" x 8" x 4" lead glass window. A convenient lever allows quick adjustment of window to optimal angle for any user and procedures. The optional 042-417 Lead Brick Cave fits neatly into the sides of the vertical section to provide lateral shielding around the full perimeter of the L-Block's base. A special plate with a hex-shaped recess is mounted on the base to facilitate one-handed loading and unloading of dose pigs incorporating hex-shaped bottoms.



SPECIFICATIONS:

042-413 Deluxe L-Block Shield

Dimensions: 20" w x 17.88" depth x 28.75" h (50.8 x 45.4 x 73 cm)

Lead Shielding: 2.4" thick (6 cm)

Lead Glass Window:

Dimensions: 8" w x 8" h x 4" thick (20.3 x 20.3 x 10.2 cm)

Density: 5.2 g/cm³

Lead Equivalency: 1.6" (4.1 cm) at 662 KeV

Finish: Powder coat

Weight: 550 lb (250 kg)

Shipping Weight: 702 lb (318.4 kg)

042-417 Interlocking Lead Brick Cave

Dimensions:

I.D.: 15.3" w x 13.6" depth x 16" h (38.9 x 34.5 x 40.6 cm)

Lead Shielding: 2.4" thick (6 cm)

Finish: Paint

Weight: 611 lb (278 kg)

042-407 Steel Table

Dimensions: 36.75" w x 24" depth x 36" h (93.5 x 61 x 91.5 cm)

Shipping Weight: 195 lb (88 kg)

Detailed specifications on page 25

042-413 L-Block Shield, Deluxe, 2.4" lead

Related:

042-417 Lead Brick Cave, 3-wall, 2.4" lead

Fits 042-413 L-Block Shield

042-407 Table, Steel

Biodex L-Block Shields incorporate a hex-shaped plate to facilitate one-handed loading and unloading of Biodex PET Pigs.

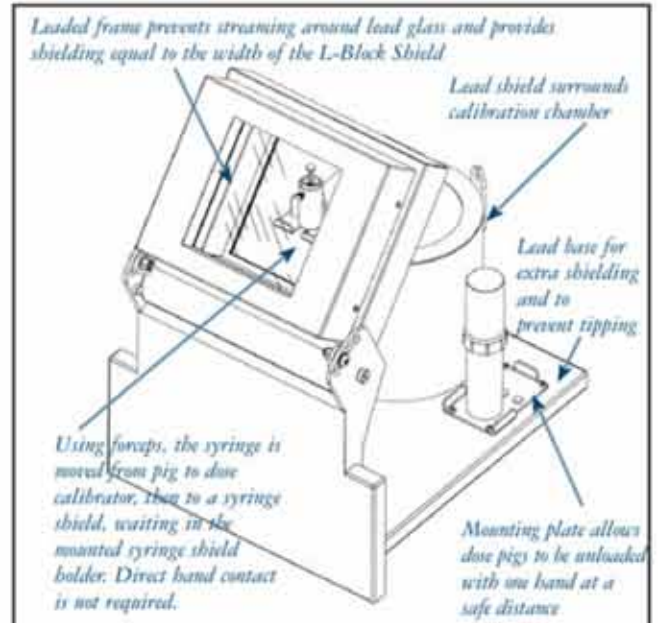
COMPACT L-BLOCK WITH DOSE CALIBRATOR SHIELD

Space-saving design – Ideal for mobile units



- 1.5" thick lead shielding in front, 1" in base
- 8" x 8" x 4" adjustable lead glass window
- 1" thick lead shield surrounds calibration chamber
- Optional Lead Brick Cave for complete lateral shielding

The unique Compact L-Block with Dose Calibrator Shield is designed to maximize space in facilities receiving and preparing doses of high-energy nuclides such as FDG F-18. This unit provides convenient access and viewing of the work area and incorporates a built-in calibration chamber shield. The special shield is designed to accommodate a chamber that is through-mounted in a countertop (customer responsible for installation). The chamber shield accommodates all Atomlab chambers and many others (check chamber shield specifications to determine fit). This combination of L-Block and dose calibrator shield eliminates the need to purchase interlocking shielding rings. This unit is constructed of lead encased in steel. It features a large 8" x 8" x 4" lead glass window with adjustable window angle, 1.5" thickness lead shielding in front, and 1" thick lead in the base and in the chamber shield. A special plate with a hex-shaped recess is mounted on the L-Block base to facilitate one-handed loading and unloading of dose pigs incorporating hex-shaped bottoms. The optional 042-434 Lead Brick Cave fits neatly into the sides of the vertical section to provide lateral shielding around the full perimeter of the L-Block's base. For hot labs in mobile vans, the optional Brick Cave Cover will prevent the cave from shifting when the vehicle is in motion.



SPECIFICATIONS:

042-433 Compact L-Block with Dose Calibrator Shield

Dimensions: 18" w x 21.5" depth x 26" h (45.7 x 54.6 x 66 cm)

Lead Shielding:

Front: 1.5" thick (3.8 cm)

Base: 1" thick (2.5 cm)

Calibrator Shield: 1" thick (2.5 cm)

Calibrator Shield Inside Dimensions: 6.85" I.D. x 10.25" h (17.4 x 26 cm)

Lead Glass Window:

Dimensions: 8" w x 8" h x 4" thick (20.3 x 20.3 x 10.2 cm)

Density: 5.2 g/cm³

Finish: Powder coat

Weight: 570 lb (259 kg)

Shipping Weight: 590 lb (267.6 kg)

042-434 Interlocking Lead Brick Cave

Dimensions:

I.D.: 14" w x 20.5" depth x 16" h (35 x 52.1 x 40.6 cm)

Lead Shielding: 2" thick (5 cm)

Finish: Paint

Weight: 597 lb (271 kg)

042-433 Compact L-Block with
Dose Calibrator Shield, 1.5" lead
With built-in Dose Calibrator Shield

Related:

042-434 Lead Brick Cave, 3-wall, 2" lead
Fits 042-433 L-Block Shield

042-435 Lead Brick Cave Cover
Fits 042-434 Lead Brick Cave

Biodes L-Block Shields incorporate a hex-shaped plate to facilitate one-handed loading and unloading of Biodes PET Pigs.

L-BLOCK SHIELDS

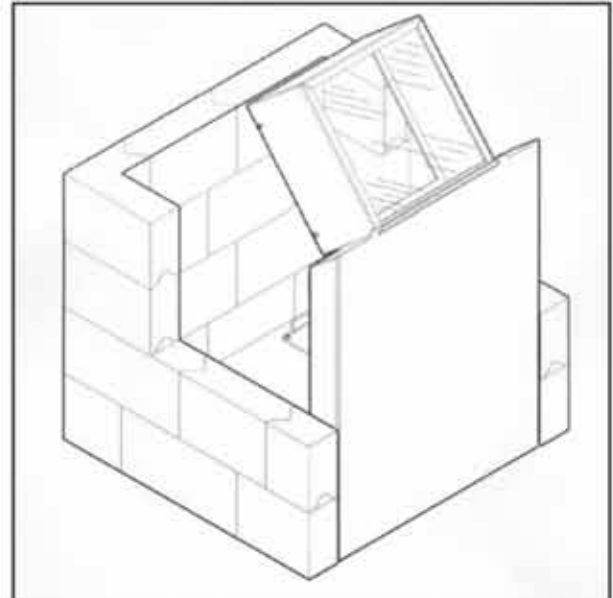
For handling unit doses of high-energy radionuclides



042-419 L-Block Shield

- **Lead shielding choices:**
1.5" – 2" thickness in front
1" thickness in base
- **Lead glass window:**
8" x 8" x 4"
- **Installs easily**
- **Optional Lead Brick Cave for complete lateral shielding**

Designed for receiving and preparing unit doses of high-energy radionuclides, these L-Blocks provide a choice of 1.5" or 2" thick lead shielding in front, and 1" thick lead in the base. The L-Block features an 8" x 8" x 4" lead glass window. A special plate with a hex-shaped recess is mounted on the base to facilitate one-handed loading and unloading of dose pigs incorporating hex-shaped bottoms. An optional Lead Brick Cave may be added to provide lateral shielding around the full perimeter of the L-Block's base. These L-Blocks are shipped in modular form for easy installation without lifting equipment. No component weighs more than 50 pounds. After placing the base frame in its location, pre-cut lead sheets are loaded into the horizontal and vertical portions of the steel frame. The window module is mounted, and assembly is completed by securing window unit and steel end cap with four Phillips head screws. A Phillips screwdriver is the only tool needed. Assembly instructions are provided.



SPECIFICATIONS:

042-419 L-Block Shield (8" x 8" x 4" window)

Dimensions: 14" w x 15" d x 24.7" h (36 x 38 x 62 cm)

Lead Shielding:

Front: 1.5" (3.8 cm) thick

Base: 1" (2.5 cm) thick

Lead Glass Window:

Dimensions: 8" w x 8" h x 4" thick (20 x 20 x 10 cm)

Density: 5.2 g/cm³

Finish: Powder coat

Weight: 290 lb (131 kg)

Shipping Weight: 355 lb (161 kg)

042-449 2" L-Block Shield

Dimensions: 14" w x 18" depth x 24.7" h (36 x 46 x 62 cm)

Lead Shielding:

Front: 2" thick (5.08 cm)

Base: 1" thick (2.5 cm)

Lead Glass Window:

Dimensions: 8" w x 8" h x 4" thick (20 x 20 x 10 cm)

Density: 5.2 g/cm³

Finish: Powder Coat

Weight: 345 lb (156 kg)

Shipping Weight: 420 lb (191 kg)

042-419 L-Block Shield, 1.5" lead

With 8" x 8" x 4" lead glass window

042-449 L-Block Shield, 2" lead

With 8" x 8" x 4" lead glass window

Related:

042-425 Lead Brick Cave, 3-wall, 2" lead

Fits 042-419 L-Block Shield

042-426 Lead Brick Cave, 3-wall, 2" lead

Fits 042-449 and 042-419 L-Block Shields

Accommodates 042-466 PET Dose Drawing System

042-407 Table, Steel

Note: For detailed specifications on Interlocking Lead Brick Caves see page 25.

TABLETOP SHIELD

For Beta and Gamma Radiation



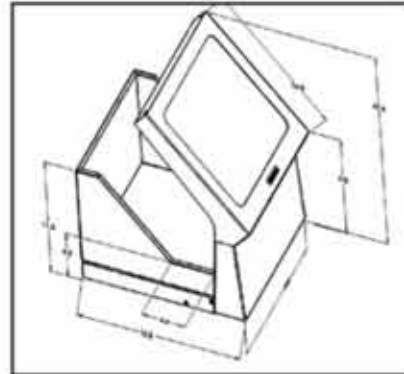
Protects face and body when working with radioactive material. Seamless work area is easy to clean/decontaminate.

- Shields both Beta and Gamma Radiation
- Seamless work area for easy cleaning and decontamination
- Work surface features a built in splash tray with a spill proof lip for fast, contained clean up

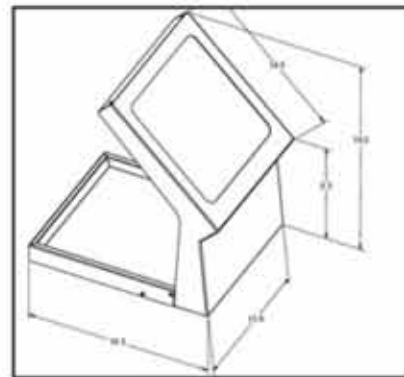
This Tabletop Shield provides protection while working with mid to low-energy beta and gamma radioactive materials. The shield is designed to resist tipping and incorporate shielding overlap to eliminate radiation streaming. The entire interior work surface is one continuous piece of steel, designed with a built in splash tray containing a spill proof lip for fast, contained clean up.

The front wall of the shield is constructed of .5" (1.2 cm) thick lead and completely encased with powder-coated steel. A lead glass window (2 mm LE) and a Plexiglas® panel are included. This shielding combination attenuates gamma and beta radiation, and errant bremsstrahlung, with unimpaired viewing of the work area. An optional 2 mm LE lead glass window is available to achieve 4.0 mm lead equivalency.

Optional side and bottom shields offer additional protection. Manufactured to be durable, the Beta/Gamma Tabletop Shield is framed in steel with a powder-coat finish.



Tabletop Shield shown with optional side shield, 042-227



Dimensions of Tabletop Shield

SPECIFICATIONS:

Tabletop Shield

Dimensions: See drawings featured

Lead Shielding: .5" thick (1.2 cm)

Viewing Panel:

Lead Equivalency: 2 mm (an optional lead glass panel can be paired to achieve 4.0 mm lead equivalency)

Clear Plexiglas®: For Beta Shielding

Viewing area: 11.1" x 11.1" (28.2 x 28.2 cm)

Finish: Silver powder coat

Side Shield

Dimensions: See drawings featured

Lead Shielding: .25" thick (.64 cm)

Finish: Silver powder coat

Bottom Shield

Dimensions: 12.78 x 12.91 (32.5 x 32.8 cm)

Lead Shielding: 0.25 thick (.64 cm)

Shipping Weight:

042-224: 79 lb (35.8 kg)

042-228: 10 lb (4.5 kg)

042-227: 42 lb (19 kg)

042-226: 10 lb (4.5 kg)



Tabletop Shield shown with optional side shield.

Tabletop Shield:

042-224 Shield, Tabletop, .5" lead

With 2.0 mm lead equivalent glass and Plexiglas® panel

Optional:

042-228 Lead Glass Plate, 8 mm thick, 12" x 12"

042-227 Side Shield, .25" lead

042-226 Bottom Shield, .25" lead